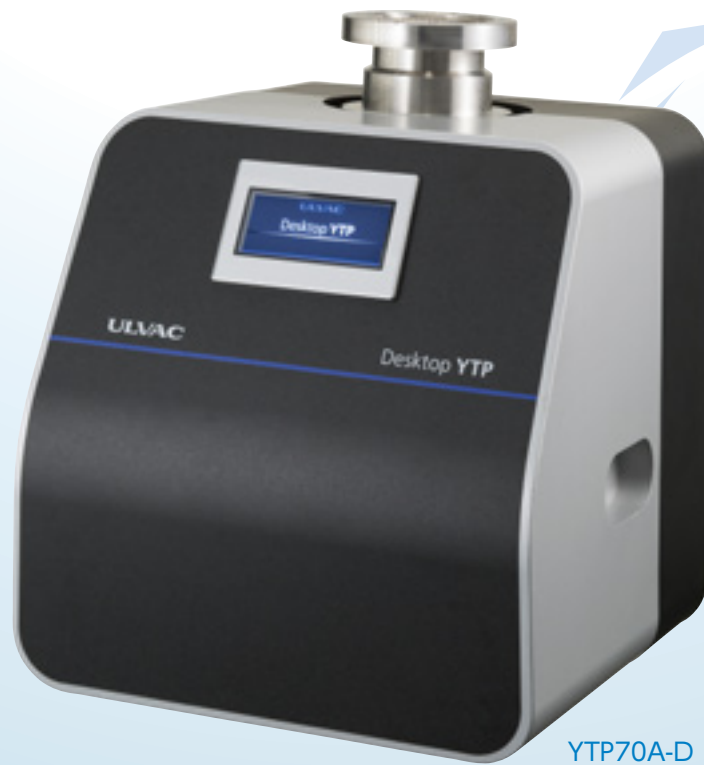


Turbo Molecular Pumping System [Desktop YTP]

Desktop high vacuum pumping station featuring a low noise, low vibration design and ceramic ball bearing turbo molecular pump.

Simple, easy to read touch screen control for user-friendly operation.



YTP70A-D

Features

- ▶ Consideration for use environment on desktop
Running noise and vibration during operation are reduced.
- ▶ Low noise
43dB(A) or less at Ultimate pressure.
(Measured by ULVAC standard for ICF flange type.)
- ▶ User-friendly
Simple operation with easy to read touch panel display
- ▶ Pressure indication
Designed for easy integration of up to 2 vacuum gauges

Applications

- ▶ Evacuation system of various experiment and R&D equipment
- ▶ Evacuation system from atmospheric pressure to high vacuum
- ▶ General use for high vacuum evacuation system

Operation screen

- ▶ User-friendly display with simple, easy to read icons.

Start Screen



Main Screen



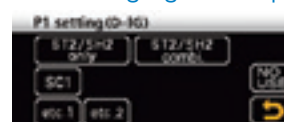
Alarm Pop-up



Vacuum gauge selection screen



Built-in simple integration with ULVAC vacuum gauges.
※ Vacuum gauge sold separately.



Turbo Molecular Pumping System [Desktop YTP]

Specifications

Model	YTP70A-D		
Inlet port	ICF114, VG65, ISO63-K		
Ultimate pressure(*1)	Pa	10 ⁻⁶	
Pumping speed (*2)	N2	L/s	70
	He	L/s	60
	H2	L/s	49
Backing pump	L/min	20	
Weight	kg	17.5	
Noise (*3)	dB(A)	< 43	
Input power source	Single phase AC100 ~ 240V(50/60Hz)		
Power capacity	300W		
Standard accessories	Instruction manual(CD-R), I/F connector, Protective net, Gasket		
External option	AC cable (3m) (*4)		
Applicable standard	CE, cTUVus		

*1: A digit number is expressed.

*2: Without a protective net.

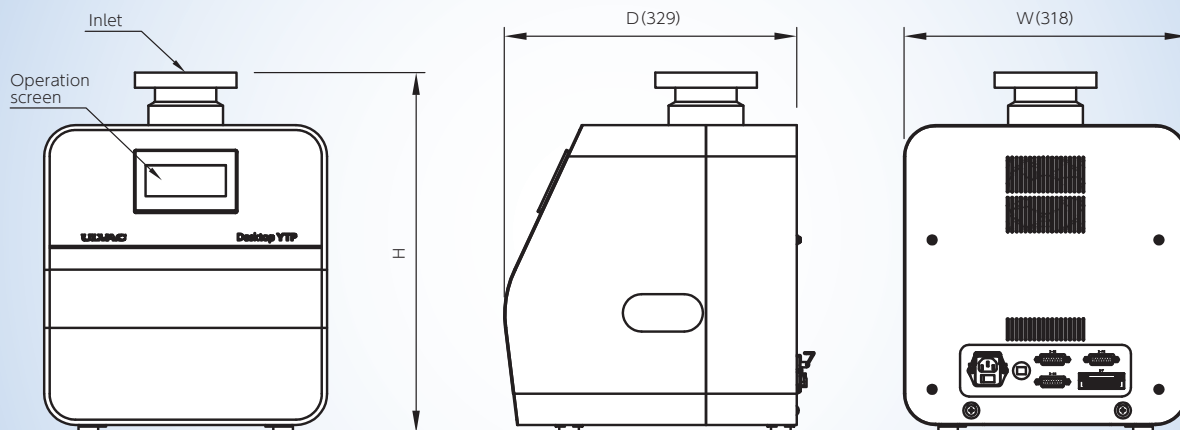
*3: At ultimate pressure. Measured by ULVAC standard for ICF flange type.

*4: Plug is selectable.

Dimensions

YTP70A-D

Unit:mm



Inlet flange	H	D	W
ICF114	405	329	318
VG65	387		
ISO63-K			

ULVAC, Inc. Components Division

www.ulvac.co.jp/en

Overseas Sales in Japan TEL +81-467-89-2261

USA : ULVAC Technologies, Inc. TEL +1-978-686-7550
 GERMANY : ULVAC GmbH TEL +49-89-960909-0
 CHINA : ULVAC (SHANGHAI) Trading Co., Ltd. TEL (86)21-6127-6610
 TAIWAN : ULVAC TAIWAN, Inc. TEL +886-3-579-5688
 KOREA : ULVAC KOREA, Ltd. TEL +82-31-683-2922
 SINGAPORE : ULVAC SINGAPORE PTE LTD TEL +65-6542-2700

PHILIPPINES : ULVAC SINGAPORE PTE LTD Philippines Branch TEL +63-46-437-7700
 VIETNAM : ULVAC SINGAPORE PTE LTD Vietnam Representative Office TEL +84-8-6255-6762
 INDONESIA : ULVAC SINGAPORE PTE LTD Indonesia Representative Office TEL +62-21-8990-5070
 THAILAND : ULVAC (THAILAND) LTD TEL +66-2-7388883
 MALAYSIA : ULVAC MALAYSIA SDN. BHD. TEL +60-3-5121-4700
 INDIA : ULVAC, Inc., India Branch TEL +91-40-27007006

▶ This catalog is subject to change without notice.

▶ This catalog is published in order to sell this product in overseas. Please see Japanese catalog when purchasing in Japan.

1553E/2018081500SP