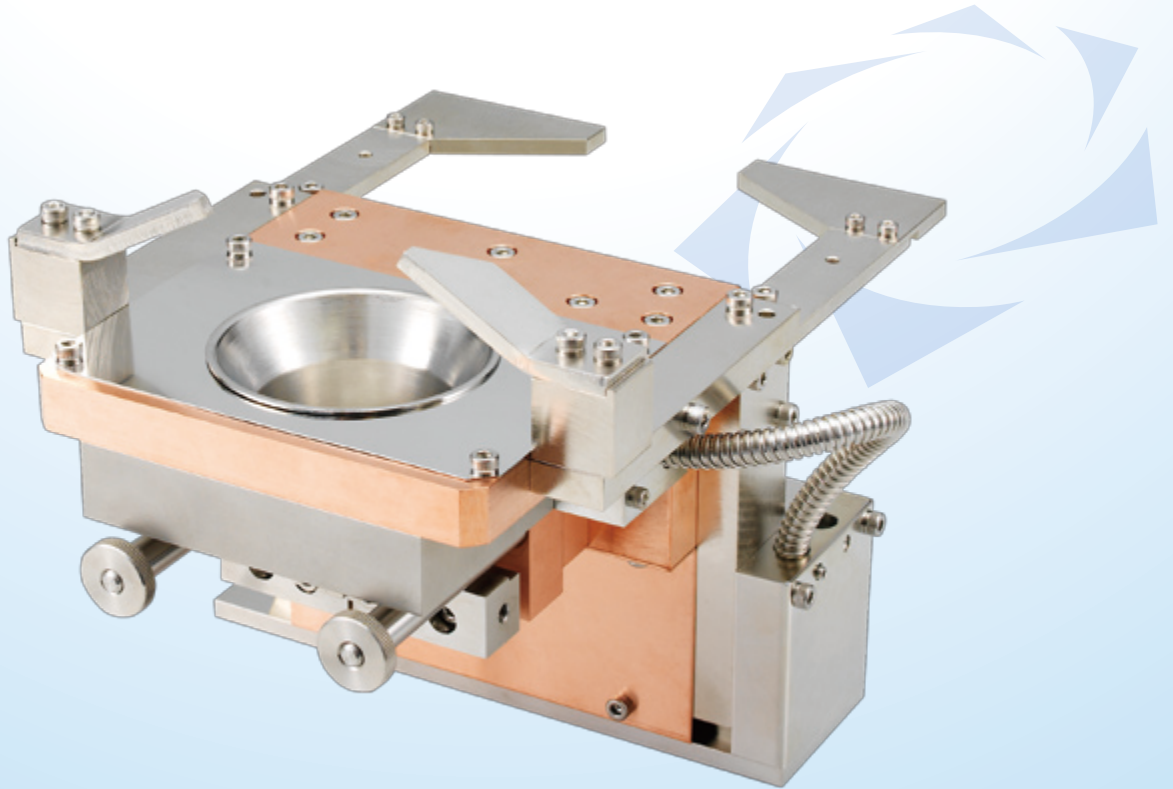


EB GUN for Optical Evaporation [EGP-1G]

EGP-1G is the cost-reduced electron beam gun for optical evaporation by simple structure of 180° deflecting beam method. Further more, high repeatability of beam position after maintenance was realized by using two locating faces configuration.



Features

- ▶ **Two Locating Faces Configuration**
All parts to be removed and installed during maintenance are fixed by two locating faces.
- ▶ **High Maintainability**
Easy to replace filament, and remove/install emitter.
- ▶ **High Reliability**
Design based on long time experience as the vacuum process equipment manufacturer.
- ▶ **New Emitter Configuration**
Easy assembly by reducing parts to 60% comparing with conventional unit.
- ▶ **180° deflecting beam method**
Improved beam stability by shortening beam orbit.
- ▶ **High-speed sweep characteristic**
Most suitable for evaporation of the oxide and compound by having high-speed sweep and vertical incidence function.

Applications

- ▶ Evaporation source for electron beam evaporation
- ▶ Evaporation source for ion plating
- ▶ Evaporation source for roll coater evaporation

EB GUN for Optical Evaporation [EGP-1G]

Specifications

Model	EGP-1G
Deflection angle	180°
Cooling-water flow rate	10L/min
Dimensions (W×D×H)	185mm×239mm×179mm
Weight	11kg
Maximum output	10kW
Accelerating voltage	-4kV~ -10kV
Maximum beam current	1A

Incidental parts selection guide

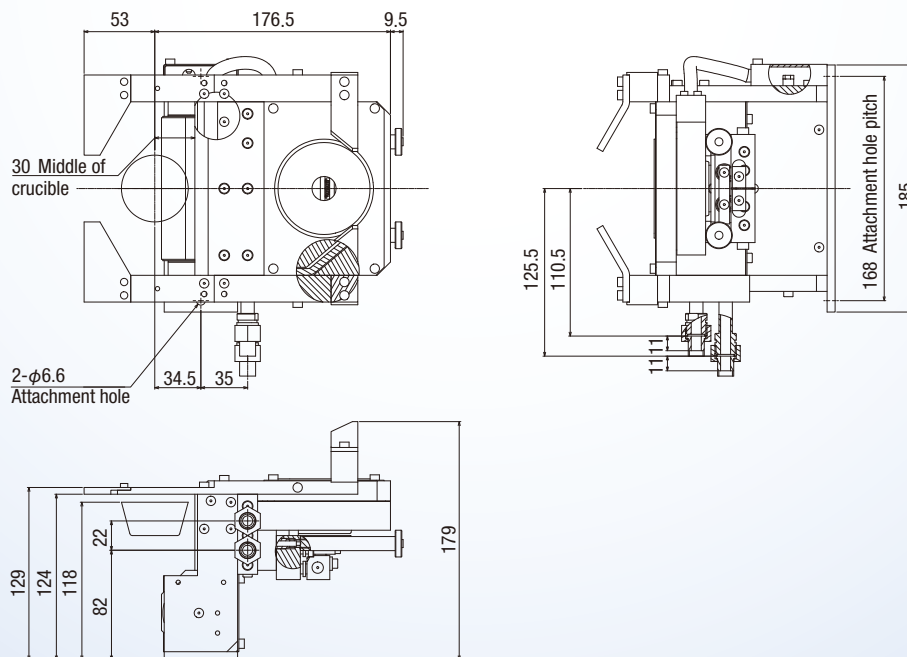
Name	Model	Specification	Required number
Hi-voltage terminal	BERH311A ※	Chamber Side introducing type	2
Current terminal	PTS-004 ※	For coil wiring	1
Earth terminal	ERZ-003 ※		1
Pressure switch	DTA-002 ※		1
Water-cooling terminal	DK5203-045 ※		10φ×2

All Introducing ports are unified into 30φ Boss type.

※ Service port of 30φ is necessary.

Dimensions

Unit: mm



ULVAC, Inc. Components Division

www.ulvac.co.jp/eng

Overseas Sales in Japan TEL +81-467-89-2261

USA : ULVAC Technologies, Inc. TEL +1-978-686-7550
 GERMANY : ULVAC GmbH TEL +49-89-960909-0
 CHINA : ULVAC (SHANGHAI) Trading Co.,Ltd. TEL +86-21-6127-6618
 TAIWAN : ULVAC TAIWAN, Inc. TEL +886-3-579-5688
 KOREA : ULVAC KOREA, Ltd. TEL +82-31-683-2922
 SINGAPORE : ULVAC SINGAPORE PTE LTD TEL +65-6542-2700

PHILIPPINES : ULVAC Singapore Philippines Branch TEL +63-2-828-7700
 VIETNAM : ULVAC Singapore Vietnam Representative Office TEL +84-8-62556762
 THAILAND : ULVAC (THAILAND) LTD TEL +66-2-312-4447
 MALAYSIA : ULVAC MALAYSIA SDN. BHD. TEL +60-3-5121-4700
 INDIA : ULVAC, Inc., India Branch TEL +91-40-27007006

▶ This catalog is subject to change without notice.

▶ This catalog is published in order to sell this product in overseas. Please see Japanese catalog when purchasing in Japan.