

G-TRAN Series 4CH Display Unit [IM1R1/IM2R1]

4 channel display unit enables you to connect up to 4 sensor units, multiple measurements and display measured pressure.

8 set points output and I/O · communication control are equipped as standard features.

It is possible to measure wide range pressure by the interlock function of the atmospheric pirani gauge or pirani gauge and ionization gauge.



Features

- ▶ **4 Channel Display**
Maximum four sensor units/ box units can be connected (ionization gauge and cold cathode gauge are connectable only to CH1)
- ▶ **4 Channel Display is Possible**
4 channel simultaneous measurement function
- ▶ **Used as Combination Gauge**
Possible to establish an interlock between the measurement of an ion gauge on CH1 and a pirani gauge on CH2
- ▶ **Control Output Signal**
Maximum 8 setpoint outputs from 4 gauges can be allocated (Channel allocation of each set point can be set from CH1 to 4.)
- ▶ **Power Supply Voltage**
Either DC24V or AC100V can be used as input power source

- ▶ **Serial Communication Type**
RS232C communication is standard
- ▶ **Vacuum Output Signal**
Pressure is 0 to 10V LOG output/4CH
- ▶ **Display Unit**
LED / LCD displays are large, bright and easily to read
- ▶ **DIN Standards**
Compatible with DIN standards (compact size of 96 x 96 mm)

Applications

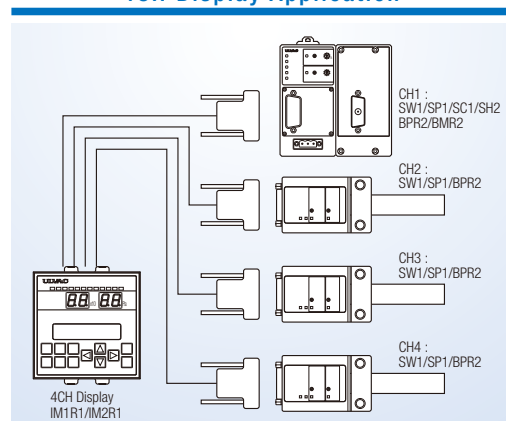
- ▶ For vacuum equipment (Photovoltaic field, FPD, Semiconductor and optics and electronic parts)
- ▶ For vacuum equipment that require many set points

G-TRAN Series 4CH Display Unit [IM1R1/IM2R1]

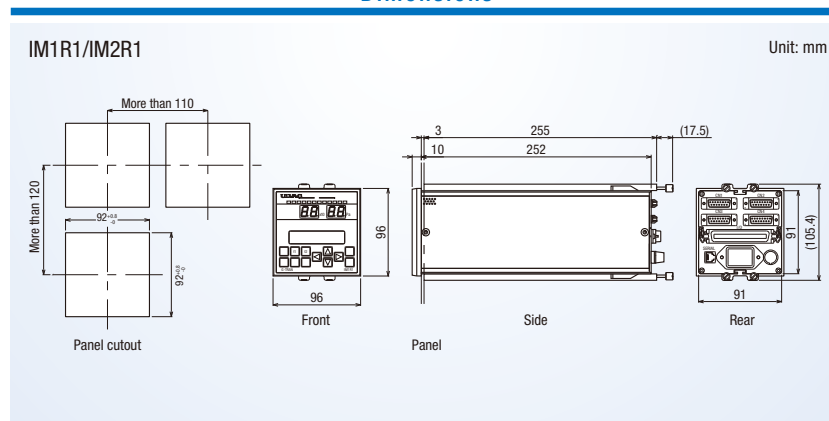
Specifications

| | | |
|---|---|--|
| Model | IM1R1 / IM2R1 | |
| Compatible measuring unit | CH1 | Pirani, Hot cathode, Cold cathode, Multi ionization gauge Model : SW1, SP1, BPR2, BMR2, SC1, SH2 |
| | CH2-4 | Pirani gauge Model : SW1, SP1, BPR2 |
| Number of measuring unit connected | 1pc to 4pcs (BMR2, SC1, SH2 can connected only 1CH) | |
| Measurable pressure range | SW1 | 5.0×10^{-2} to 1.0×10^{-5} Pa (3.75×10^{-4} to 760 Torr, 5×10^{-4} to 1013 mbar) |
| | SP1, BPR2 | 4.0×10^{-1} to 3.0×10^{-3} Pa (3×10^{-3} to 22.5 Torr, 4×10^{-3} to 30 mbar) |
| | SH2, BMR2 | 5.0×10^{-8} to 9.9×10^{-9} Pa (3.75×10^{-10} to 7.4×10^{-2} Torr, 5×10^{-10} to 9.9×10^{-2} mbar) |
| | SC1 | 5.0×10^{-5} to 1.0×10^{-9} Pa (3.75×10^{-7} to 7.5×10^{-3} Torr, 5×10^{-7} to 1×10^{-2} mbar) |
| Display | Mantissa: 2 digit, exponent: 1 digit | |
| | Accuracy | $\pm 10\%$ [Pa] against the input pressure value from measuring unit |
| Sampling time | 50ms (Five times of moving average processing) (75ms: SW1) | |
| Value output | Pseudo-logarithmic output 0 to 10VDC (1V linear signal in each digit) / SW1 : logarithmic output | |
| | Accuracy | ± 0.5 at the mantissa part of pressure indication |
| Set point | 8 point (CH free) | |
| Serial communication spec | RS232C | |
| Control input signal | 9600bps / 19200bps / 38400bps | |
| | Baud rate | |
| Control output signal | FIL (HV) ON/OFF, FIL1/2, DeGas ON/OFF Open collector output, negative logic PROTECT/ERROR/SET POINT1-8/EMISSION VALID | |
| LED display | POWER, CAL, PROG, LOCK, SET-1 to 8, FIL/HV, DEGAS, PROTECT, Emission Valid | |
| Power | IM1R1:DC24V \pm 2V, 200mA / IM2R1:AC100V \pm 10V, 200mA | |
| Weight | IM1R1:1360 g / IM2R1:1760 g | |
| Operating temperature range | 10 to 40°C (50 to 104°F) | |
| Operating humidity range | 15 to 18% (not condensing) | |
| Accessories | Output connector(Unfenol 50pin): 1pc | |
| | Fixture for panel mounting:1pc | |
| | Instruction manual:1pc | |
| | Power cable (3m):1pc | |
| Option | Input connector:D-sub-15pin (M2.6 screw) | |

4CH Display Application



Dimensions



ULVAC, Inc. Components Division

www.ulvac.co.jp/eng

Overseas Sales in Japan TEL +81-467-89-2261

USA : ULVAC Technologies, Inc. TEL +1-978-686-7550
 GERMANY : ULVAC GmbH TEL +49-89-960909-0
 CHINA : ULVAC (SHANGHAI) Trading Co.,Ltd. TEL +86-21-6127-6618
 TAIWAN : ULVAC TAIWAN, Inc. TEL +886-3-579-5688
 KOREA : ULVAC KOREA, Ltd. TEL +82-31-683-2922
 SINGAPORE : ULVAC SINGAPORE PTE LTD TEL +65-6542-2700

PHILIPPINES : ULVAC Singapore Philippines Branch TEL +63-2-828-7700
 VIETNAM : ULVAC Singapore Vietnam Representative Office TEL +84-8-6256762
 THAILAND : ULVAC (THAILAND) LTD TEL +66-2-312-4447
 MALAYSIA : ULVAC MALAYSIA SDN. BHD. TEL +60-3-5121-4700
 INDIA : ULVAC, Inc., India Branch TEL +91-40-27007006

► This catalog is subject to change without notice.
 ► This catalog is published in order to sell this product in overseas. Please see Japanese catalog when purchasing in Japan.